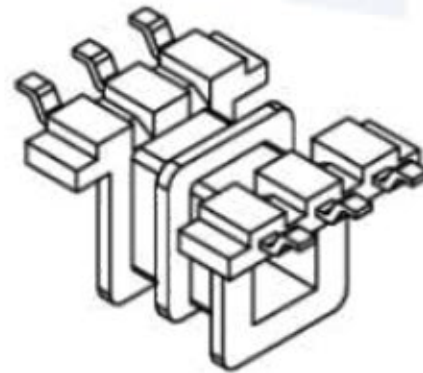
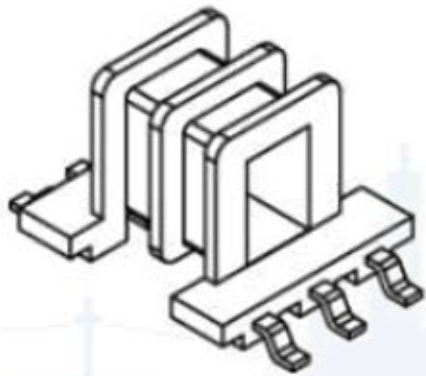
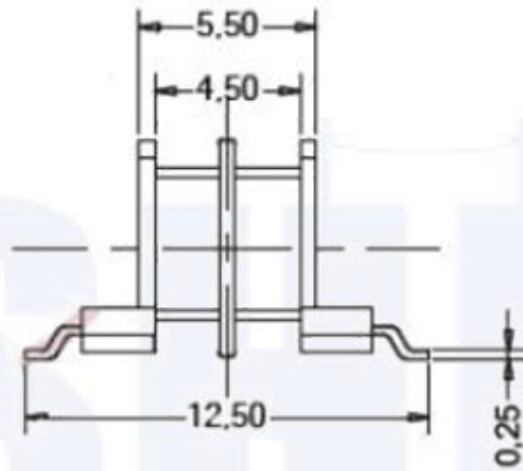
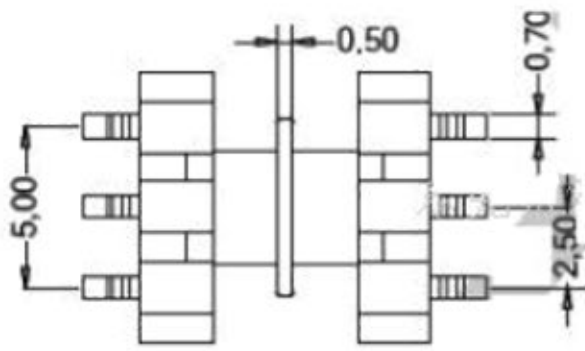
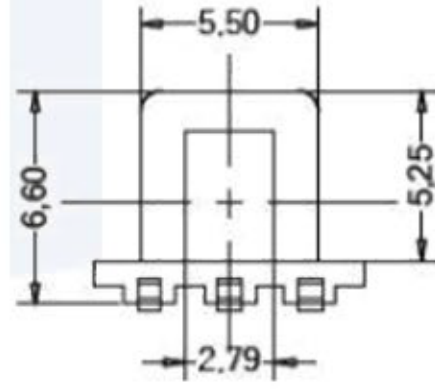
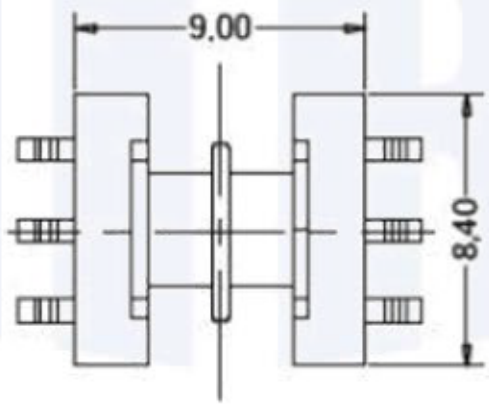

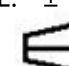


SHIRUI



SHIRUI Hefei Shirui Electronic Technology Co.,Ltd

SR NO. SR-SMD EE0802	MATERIAL: PHENOLIC	UNIT: mm	DRN.	WILL H
	UL REC: UL 94V-0	TOLERANCE	CHD.	IRINA LEE
MODEL NAME: EE8.3 6P-2S H	ANGLE: \pm °   SCALE 1:1	0 < X < 4 ± 0.1 4 < X < 16 ± 0.2 16 < X < 63 ± 0.3 PIN PITCH ± 0.2	ISSD.	JAMES HU